

Hunter HDMI 4K Matrix 4x4 With Audio

9179-HUC-M44A-4K

User Manual

hunterbharat.com



Product Introduction

Hunter HDMI matrix 4x4 can connect 4 HD signal sources to 4 HD displays with optical and stereo output at the same time via HDMI out 1 port. The matrix allows four HDMI devices to be switched or split easily to four HDMI compatible monitors or projectors.

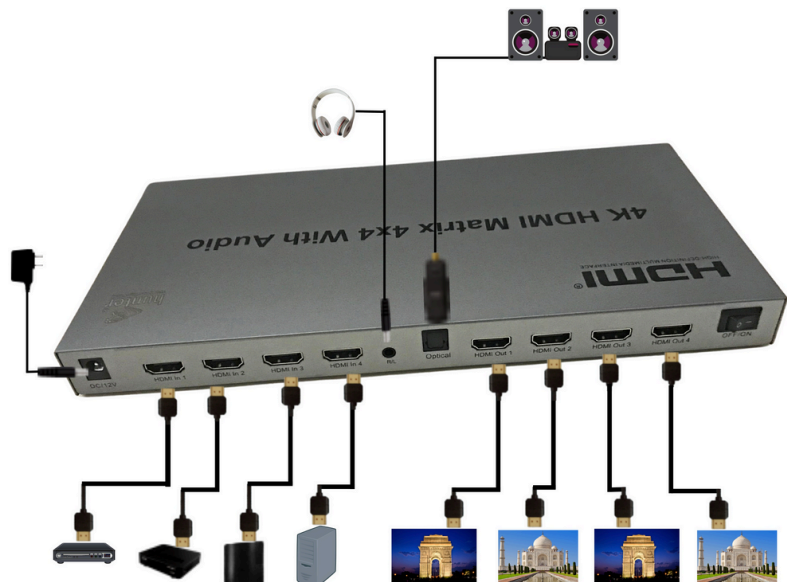
This HDMI matrix supports lossless transmitting and is widely used in lobby, reception space and security companies, data center control, information distribution, conference room presentation, school and corporate training environments.

Features

- Very compact structure
- Stable and reliable
- Economical and cost-effective
- Support 3D
- Support IR Remote Control
- The four outputs could show the same or different source simultaneously
- Via HDMI out1, support 3.5mm earphone jack and optical output at same time

Connection Diagram

1. Connect each HDMI source devices and input of HDMI Matrix with HDMI cable.
2. Connect display devices and output of HDMI Matrix with HDMI cable.
3. Connect the audio output to the stereo amplifier via stereo headphones or optical fiber.
4. Connect 12V power supply to the HDMI 4x4 Matrix.
5. Use the IR remote or button control to switch the signal source freely.

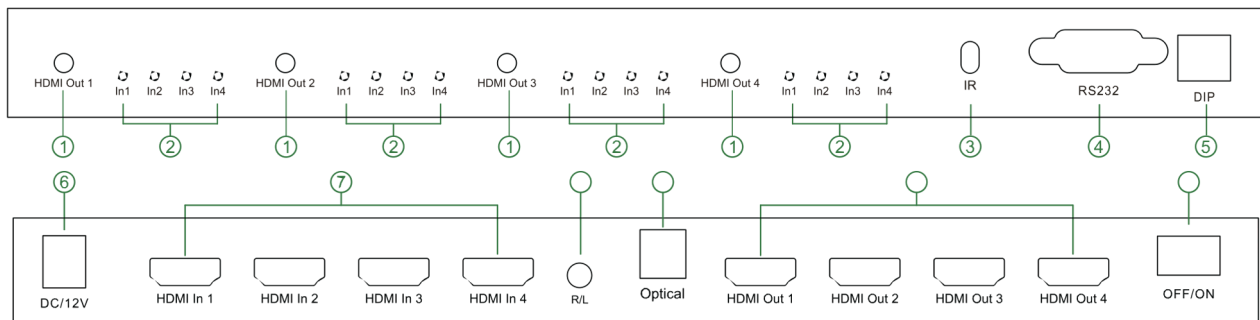


NOTE: HDMI port and audio ports are connected according to user needs, not every port needs to be connected; Signals cannot be reversed.

Specifications

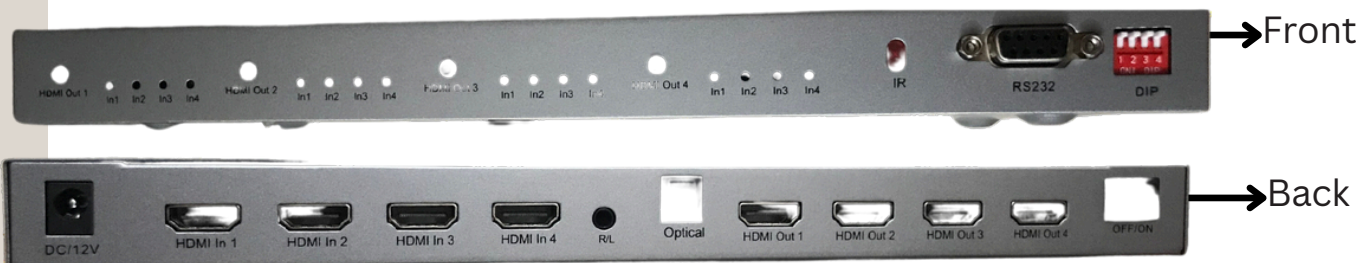
HDMI resolution	up to 4K/60Hz
Support video format	8/10/12 bit deep color
Support audio format	DTS-HD/Dolby-trueHD/LPCM7.1/DTS/Dolby-AC3/DSD
Max baud rate	3x3.4Gbps
Input cable distance	4K/30Hz ≤15M AWG26 HDMI standard cable
Output cable	4K/30Hz ≤15M AWG26 HDMI standard cable
HDMI Input	4
HDMI Output	4
Max working current	0.6A
Power adapter format	Input: AC (50HZ, 60HZ) 100V-240V; Output: DC12V/1A
Operating Temp range	(-15 to +45°C)
Operating Humidity range	5to 90%RH (No Condensation)
Dimension (L x W x H)	76 x 143 x 26 (mm)
Weight	720gms

Function Interface Figure:



- 1: HDMI Out1-4
- 2: In1-4
- 3: IR
- 4: RS232
- 5: DIP
- 6: DC/12V
- 7: HDMI In1-4
- 8: R/L
- 9: Optical
- 10: HDMI Out1-4
- 11: OFF/ON

- Output selection
- Input LED indicator for each output selection
- IR port
- RS232 port
- EDID
- DC/12V power port
- HDMI Input 1-4 port
- 3.5MM headphone interface
- Optical port
- HDMI Output 1-4 port
- Power switch

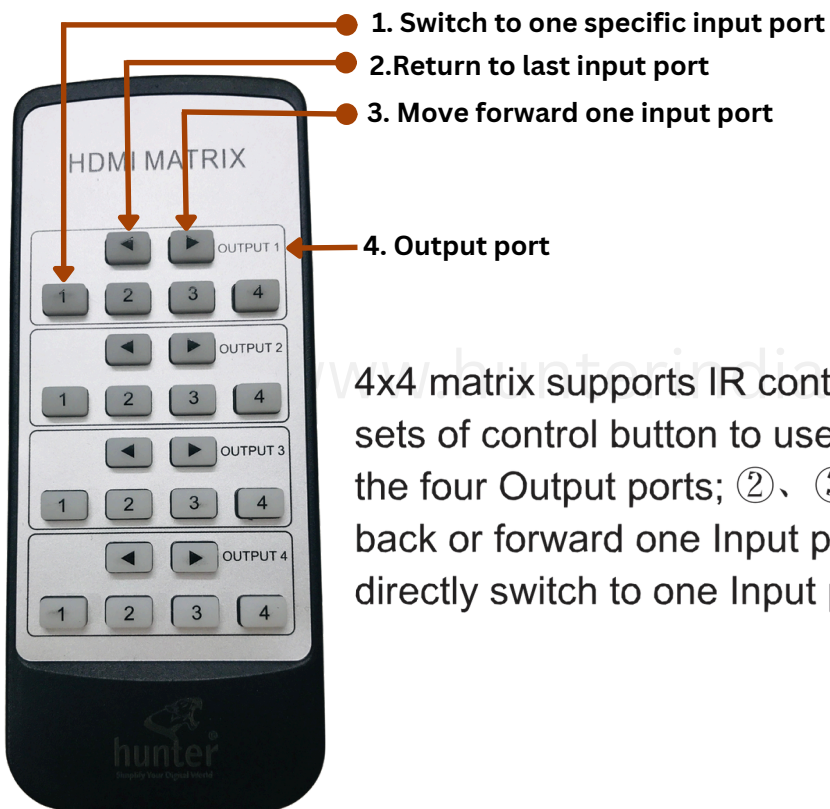


EDID setting

Position 1	Position 2	Position 3	Position 4	Function
0	0	0	0	Copy EDID from
0	0	0	1	Output1 3D 4Kx2K 2 CH
0	0	1	0	2D 1080P stereo 2CH
0	0	1	1	2D 1080I stereo 2CH
0	1	0	0	2D 1080P 5.1CH
0	1	0	1	2D 1080P 7.1 CH
0	1	1	0	3D 1080P stereo 2CH
0	1	1	1	2D 1080P DVI

Note: the dial switch to dial downward is 1, dial upward is 0.

The Remote Control instruction :



4x4 matrix supports IR control and there are four sets of control button to use to switch & control the four Output ports; ②、③ are used to move back or forward one Input port; ① is used to directly switch to one Input port.

Applications



TV Store



Teaching Room



Video Conference

Pls use the machine as the instruction listed to keep the long use lifetime of the machine.

1. The machine should be placed at the spot far from the Damp, High-Temperature, Dusty, Erosive, and oxidative environment.
2. All parts will be free from the strong shake, hit, fall.
3. Touching the power adaptor with the wet hands is prohibited.
4. Pls hold the power adaptor head and do not pull the power cord when cut off from the socket.
5. Pls turn the power off when the machine is not used for long time.
6. Pls do not open the cover and do not touch the inside parts.
7. Pls use the original factory power adaptor.

Before power on, pls check the connection line carefully. And make sure that all interfaces are normally connected. The common trouble shooting way shows below:

Trouble Description Cause and Ways to deal with

A. Non-Power-Connected

1. Check if the power adaptor head is truly and correctly inserted the power socket
2. Check the power switch if it is in on status.

B. No Picture

1. Kindly ensure that the TV is on and has been connected with the machine
2. Check if the signal source is on and well connected
3. Check the system, line and cable quality

C. Obscure Picture

1. To try again to connect the cable to be free from the unsuccessful connection.
2. HDMI Cable Quality

Package includes

Hunter HDMI Matrix 4X4

IR Remote Control



Warranty 1 Year



If your product does not work properly because of a defect in materials or workmanship, our Company (warrantor) will, for the length of the period indicated as 1 Years, which starts with the date of original purchase ("Limited Warranty period"), at its option either (a) repair your product with new or refurbished parts, or (b) replace it with a new or a refurbished product. The decision to repair or replace will be made by the warrantor.

During the "Labor" Limited Warranty period there will be no charge for labor.

During the "Parts" warranty period, there will be no charge for parts. You must mail-in your product during the warranty period. This Limited Warranty is extended only to the original purchaser and only covers product purchased as new. A purchase receipt or other proof of original purchase date is required for Limited Warranty service.